

Binzel® Style Head

Miller® Style Termination

Successful aluminum welding requires a stable arc.

A spool gun ensures a steady, consistent, and reliable wire feeding for soft wires like aluminum or brazing wires due to a short feeding distance.

Spool gun improves the "feed ability" of aluminum wire by locating a small, 4-inch diameter wire spool (a one-pound aluminum spool) on a pistol-grip style gun. Using a spool gun saves considerable welding time while ensuring high weld quality.

SMH360 Series Spool Guns are designed to feed wires which are difficult to feed through the standard MIG gun. These Guns can be used for stainless steel, flux-cored, and thin solid wires however they are most commonly used for aluminum and brazing wires measuring 0.03, 0.035, and 0.040 in.

If you are going to use a MIG gun longer than 15 feet with solid wire or flux-cored measuring 0.023 or 0.030 in., Spool Gun is the best option.

SMH360 is a 300 A lightweight, well-balanced, dual groove drive roll, easy to set up, designed for easy and reliable aluminum wire feeding with a variety of CV power sources and engine-driven welders.

The design of this spool gun reduces the maintenance and production time by allowing easy access to the drive rollers and performing routine maintenance without disassembling the gun.

FEATURES

- Cost-effective solution for precise control of MIG welding with hard and soft wires.
- Excellent and reliable for running one-pound aluminum spool MIG welding wire or two-pound mild steel and stainless-steel spool.
- Furthermore, silicon bronze MIG welding wire can be used as well.
- A unique wire break keeps the spool under constant tension to prevent the overrun of the wire.
- Excellent wire retainer to keep the wire from de-reeling in operation.
- Impact-resistant handle that encased a durable motor.
- Possibility of using threaded or slip-on gas nozzles.
- Clear flip top wire spool cover allows you to check the remaining wire immediately.
- Ideal for medium and Heavy-duty industries because of a powerful 24V motor.

Rating : 300A CO₂ 270A mixed gas

@ 60% duty cycle.

(as Standard IEC EN60974-7)



Recommended For :

Aluminum wires: 0.030 to 0.045 in. (0.8 to 1.2 mm)

Brazing wires: 0.030 to 0.040 (0.8 to 1.0 mm)

Flux cored wires: 0.030 to 0.045 (0.8 to 1.2 mm)

Solid wires: 0.030 to 0.040 in. (0.8 to 1.0 mm)

Gun Length : 20ft. (6m)

Recommended Gas Flow :

22-27 CHF (11-13 l/min)
for 1/2 inch (12.8 mm) nozzle bore

30-35 CHF (14-17 l/min)
for 5/8 inch (16.0 mm) nozzle bore

30-40 CHF (14-19 l/min)
for 3/4 inch (19.0 mm) nozzle bore



Miller® Style Termination

- Easy access to the drive roll tension and pressure lever on the pull gun handle.
- A specially designed cable possesses outstanding flexibility with the highest heat and abrasion resistance of any known cable.
- Equipped with a special termination adapter that allows you to change the installed termination to other versatile termination styles.

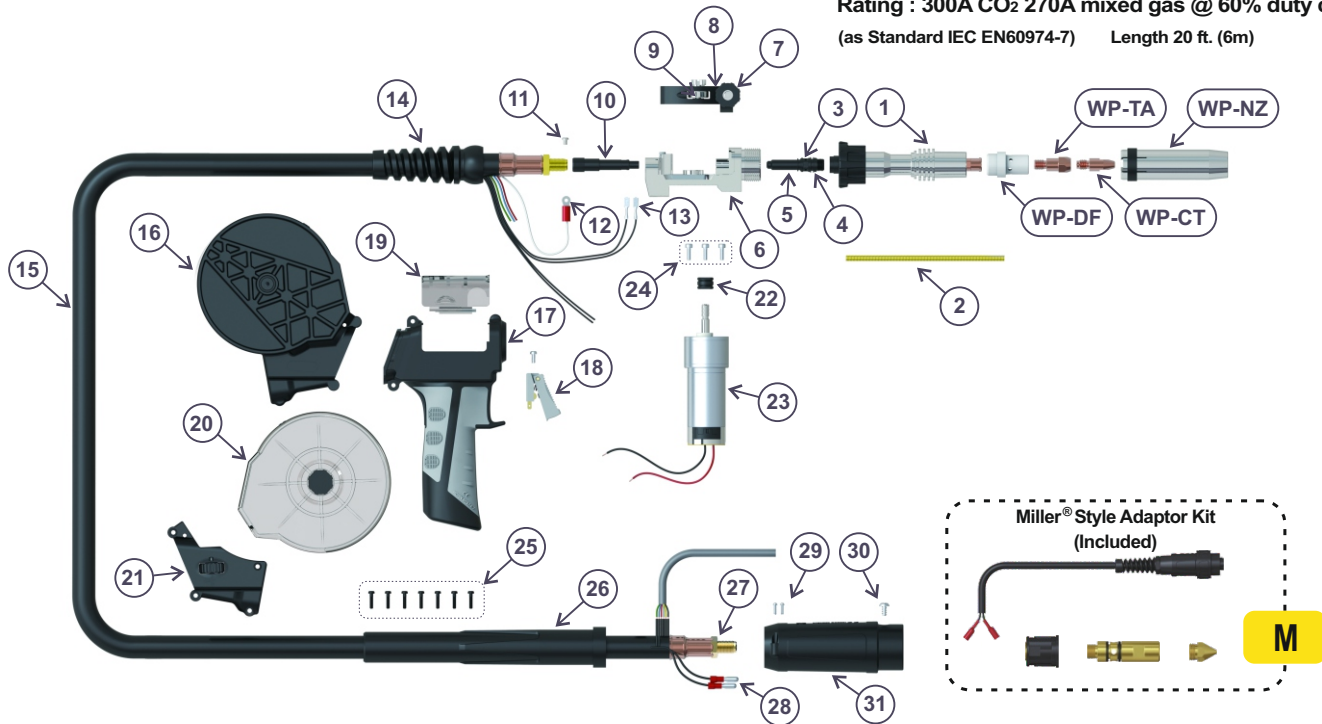
Technical Specification

Process	Description
Motor Voltage	24 Volt DC
Head and Nozzle style	Binzel®
Maximum Spool Size	4" / 102mm
Copper Cable Length	20 ft. (6 meter)

AIR-COOLED MIG WELDING SPOOL GUN, SMH360 SERIES

SMH360 BM

Rating : 300A CO₂ 270A mixed gas @ 60% duty cycle.
(as Standard IEC EN60974-7) Length 20 ft. (6m)

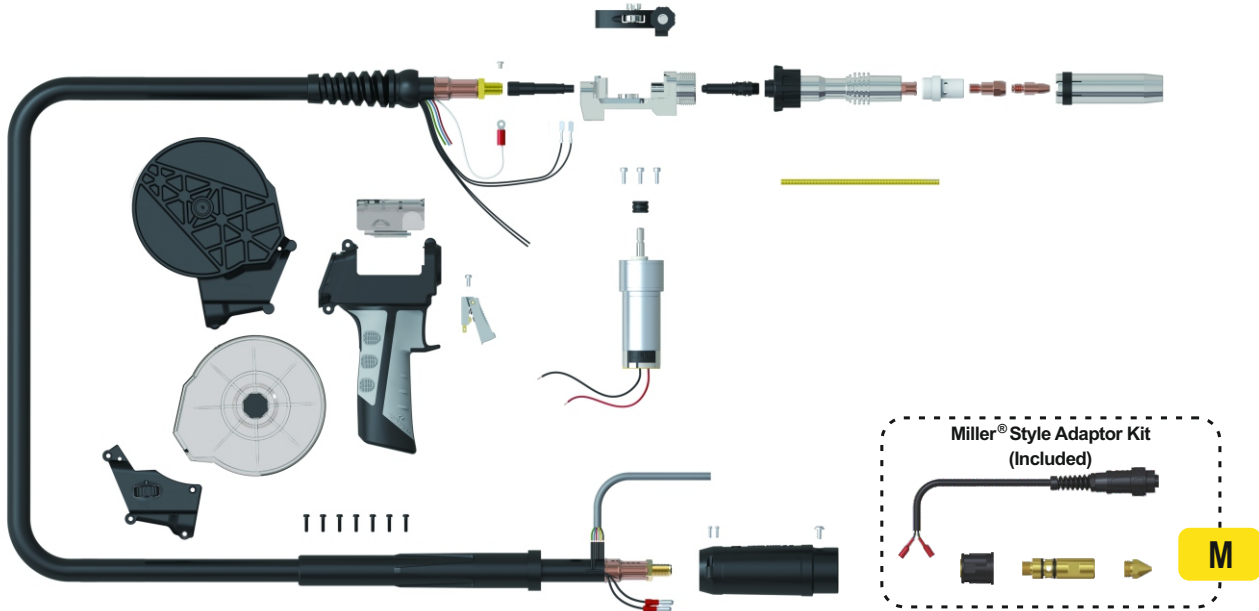


SMH360 BM

AIR-COOLED MIG WELDING SPOOL GUN (CWGPG-PGSP360A-24-P10-60BM)

Item	Description	Part Number	Item	Description	Part Number
1	Straight Neck Assembly	CWUG P3603A	22	Driver Roll For Steel Wire Ø0.030" (0.8mm)	CWUGP8224W-08
2	Jump Liner	CWUGP3602A	22	Driver Roll For Steel Wire Ø0.035" (0.9mm)	CWUGP8224W-09
3	Jump Liner Nipple	CWUGP36006	22	Driver Roll For Steel Wire Ø0.040" (1.0mm)	CWUGP8224W-10
4	'O' Ring	CW 9 X 1.5	22	Driver Roll For Aluminium Wire Ø0.030" (0.8mm)	CWUGP8224W-08U
5	'O' Ring	CW 7 X 1.5	22	Driver Roll For Aluminium Wire Ø0.035" (0.9mm)	CWUGP8224W-09U
6	Motor Body	CWUSP36001S	22	Driver Roll For Aluminium Wire Ø0.040" (1.0mm)	CWUGP8224W-10U
7	Tension Knob	CWUGP36402B	22	Driver Roll For Aluminium Wire Ø0.045" (1.2mm)	CWUGP8224W-12U
8	Pressure Arm Assembly	CWUGP36402	23	Motor 24V DC	CWUGP8224-24
9	Pressure Roll	CWUGP36402R	24	Motor Screw Pack	CWUGPMS1
10	Wire Guide	CWUSP36006	25	Handle Screw Pack	CWUKA3X20
11	Screw Pack	CWSC2563	26	Cable Support	CWUPA3541
12	Circular Cold Terminal	CWSC2597	27	Lock Nut	CWUXL1542
13	Cable Terminal	CWUb1521	28	Cable Terminal Male	CWUb1522
14	Cable Support	CWMIG8015	29	Gun Plug Housing Screw	CWSCSP1-1
15	Coax Cable Assembly	CWGPG-PGSP3609-60ER	30	Gun Plug Screw	CWUBL1541
16	Spool Holder	CWUSP2515SP-B	31	Gun Plug Housing Lincoln	CWSC2578HL/L
17	Spool-On Handle	CWUSP2515-KJ	M	Miller® Style Adaptor Kit	CWUECEM1575K
18	Push-Pull Trigger	CWUGP2516	WP-NZ	Wear Part - Nozzle	See the next pages
19	Wire Feeder Cover	CWUGP2514-C	WP-TA	Wear Part - Tip Adaptor	See the next pages
20	Spool Cover	CWUSP2515SP-C	WP-CT	Wear Part - Contact Tip	See the next pages
21	Wire Speed Control 10KΩ	CWUSP25155P-PT-10K	WP-DF	Wear Part - Diffuser	See the next pages

Rating : 300A CO₂ 270A mixed gas @ 60% duty cycle.
(as Standard IEC EN60974-7) Length 20 ft. (6m)

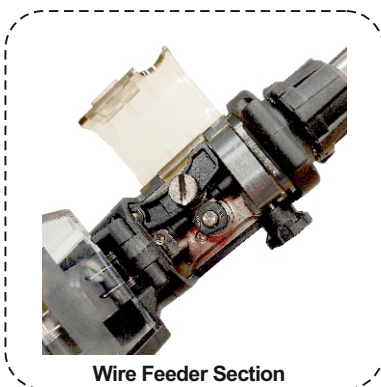


By using one of the following adaptor kits, the termination type of this MIG gun can be changed to another widely used termination types.



Optional Termination Adaptor Kits

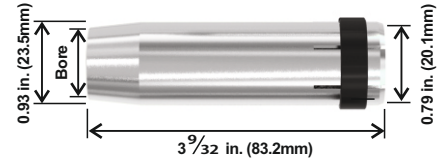
Item	Description	Part Number
L	Lincoln® Style Adaptor Kit	CWUECEL1575K
T	Tweco® Style Adaptor Kit	CWUECET1575K
E	Euro Style Adaptor Kit	CWUECEE1575K



Rating : 300A CO₂ 270A mixed gas @ 60% duty cycle.
(as Standard IEC EN60974-7) Length 20 ft. (6m)

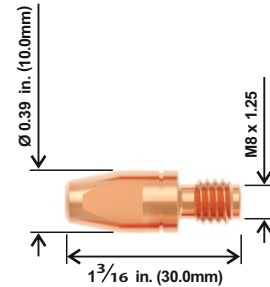
Wear Part Nozzles

Part No.	Description	Bore	Wall	Material
CWUB3615	Cylindrical Nozzle	3/4 in. (19.0mm)	3/32 in. (2.25mm)	Copper
CWUB3616	Conical Nozzle	5/8 in. (16.1mm)	3/32 in. (2.25mm)	Copper
CWUB3617	Tapered Nozzle	15/32 in. (12.0mm)	3/32 in. (2.25mm)	Copper



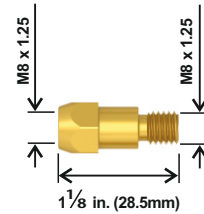
Wear Part Contact Tips

Part No.	Description	Material	Wire Size
CWUB4015-08	Contact Tip	CuCrZr	0.030 in. (0.8mm)
CWUB4015-09	Contact Tip	CuCrZr	0.035 in. (0.9mm)
CWUB4015-10	Contact Tip	CuCrZr	0.040 in. (1.0mm)
CWUB4015-10A	Contact Tip	CuCrZr	0.040 in. (1.0mm)
CWUB4015-12A	Contact Tip	CuCrZr	0.045 in. (1.2mm)



Wear Part Tip Adaptor

Part No.	Description	Bore	Material
CWUB3614	Tip Adaptor	1 1/8 in. (28.5mm)	Brass



Wear Part Diffuser

Part No.	Description	Color	Material
CWUB3605W	Diffuser	White	DMC3

